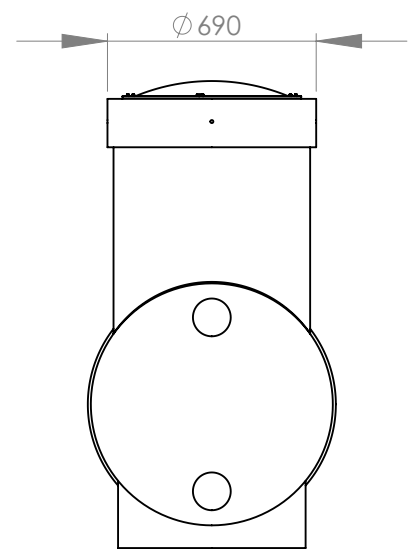
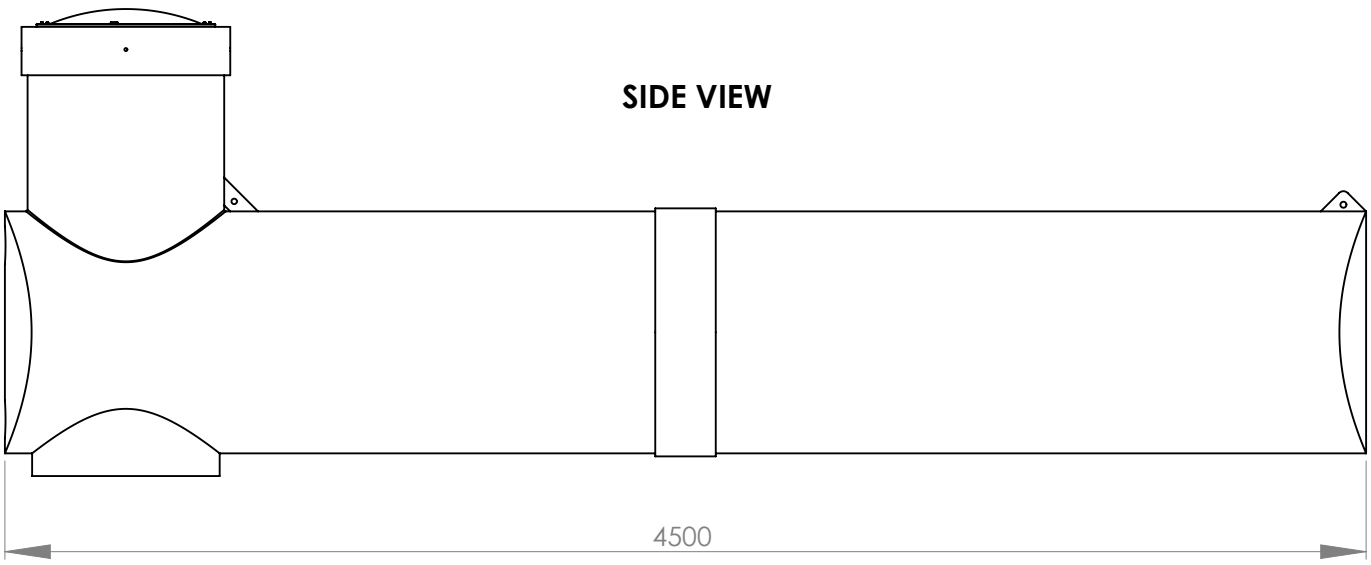


1 2 3 4 5 6

A

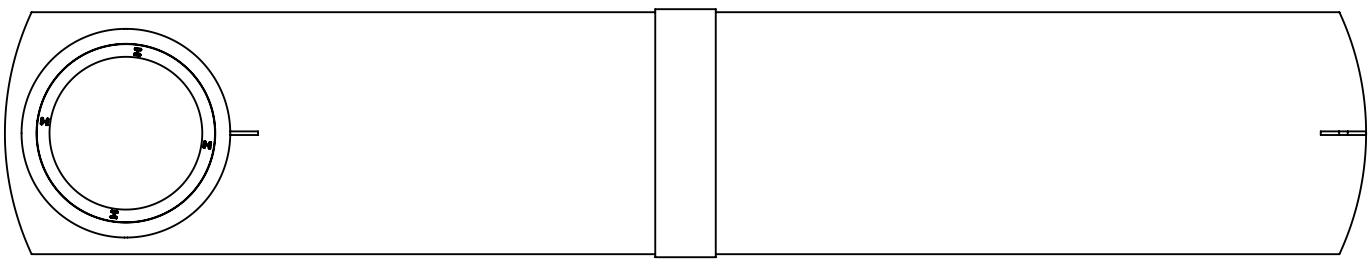
A



B

B

PLAN VIEW



CAPACITY: 2,000 Litres

C

C

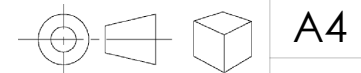
D

	NAME	DATE
DRAWN	D.I.B.	3 AUGUST 2011
CHK'D		
APPV'D		
DIMENSIONS OF ROTO MOULDED PARTS ARE APPROX DUE TO VARIATIONS IN THE MANUFACTURING PROCESS		
DO NOT SCALE DRAWING		
Copyright Bailey Tanks Limited 2011		

Bailey Tanks Limited
 36 Ash Road, Wiri, Auckland, New Zealand
 Tel: + 64 9 2627070 Fax: +64 9 2627071
 Web: www.baileytanks.com
 Email: info@baileytanks.com



DWG NO.
SUB800D.2000



1 2 3 WEIGHT: 165 KG SCALE: 1:25 SHEET 1 OF 1 REVISION